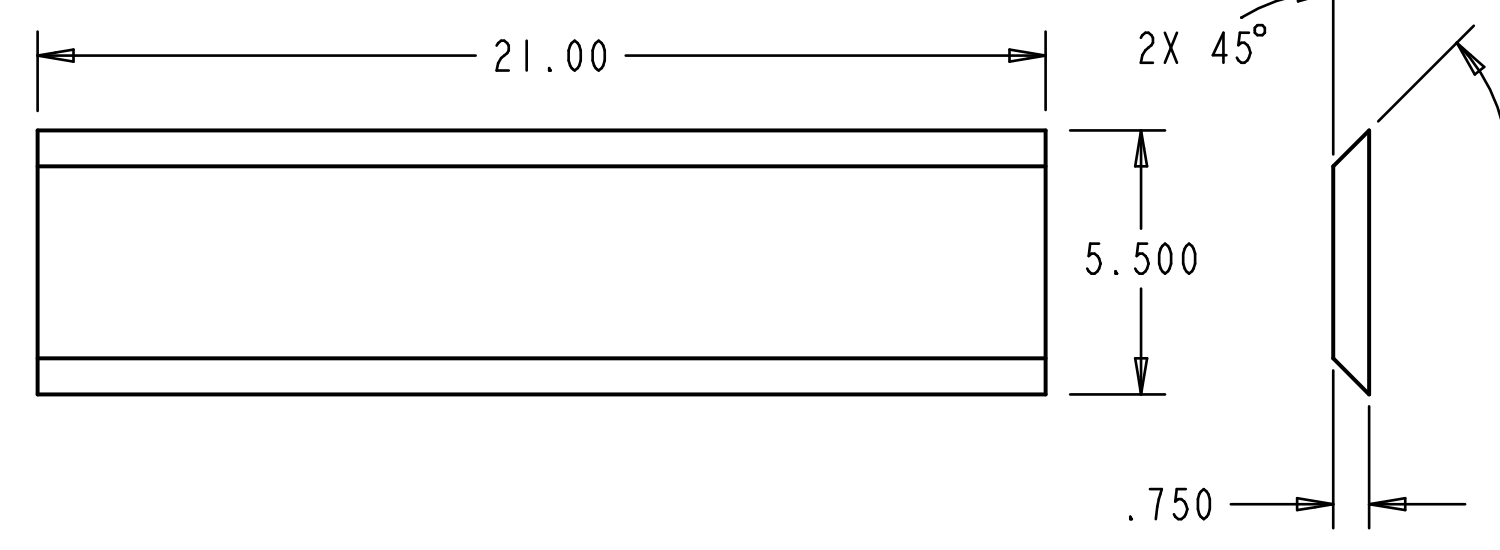
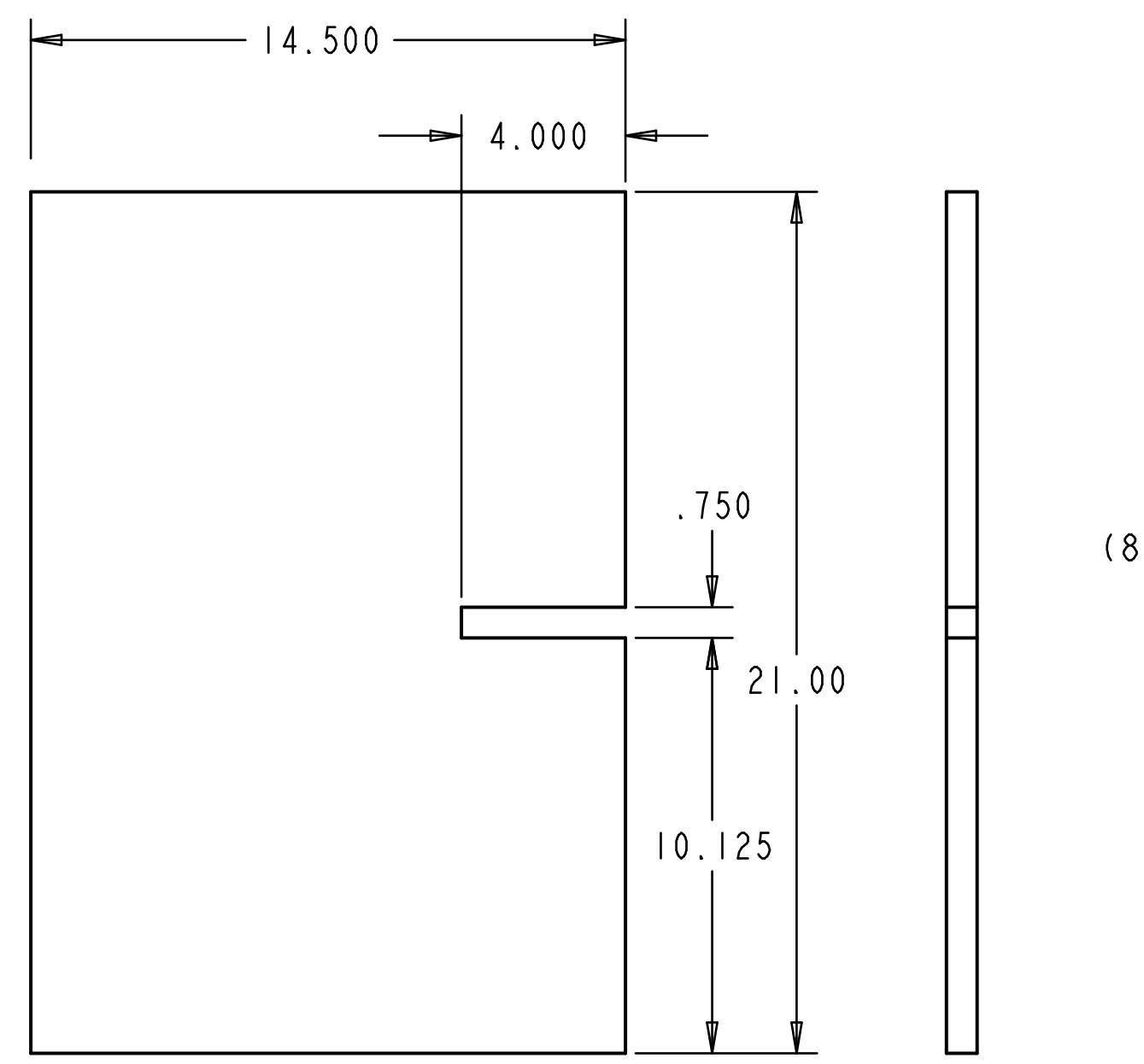


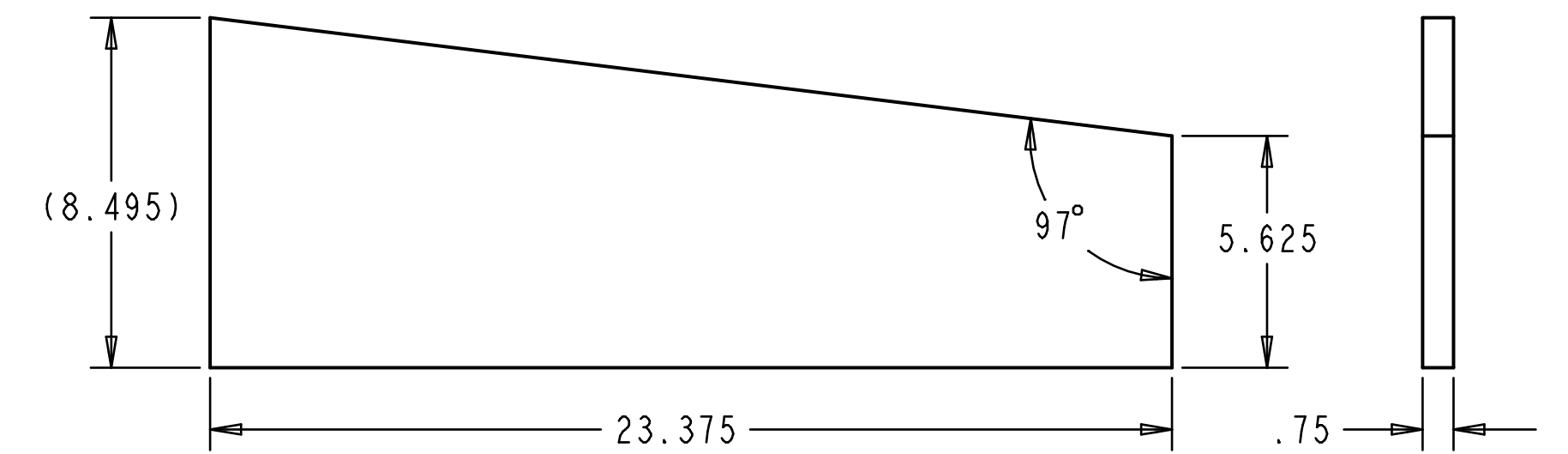
15.25" CORNER PANEL
SCALE 0.250



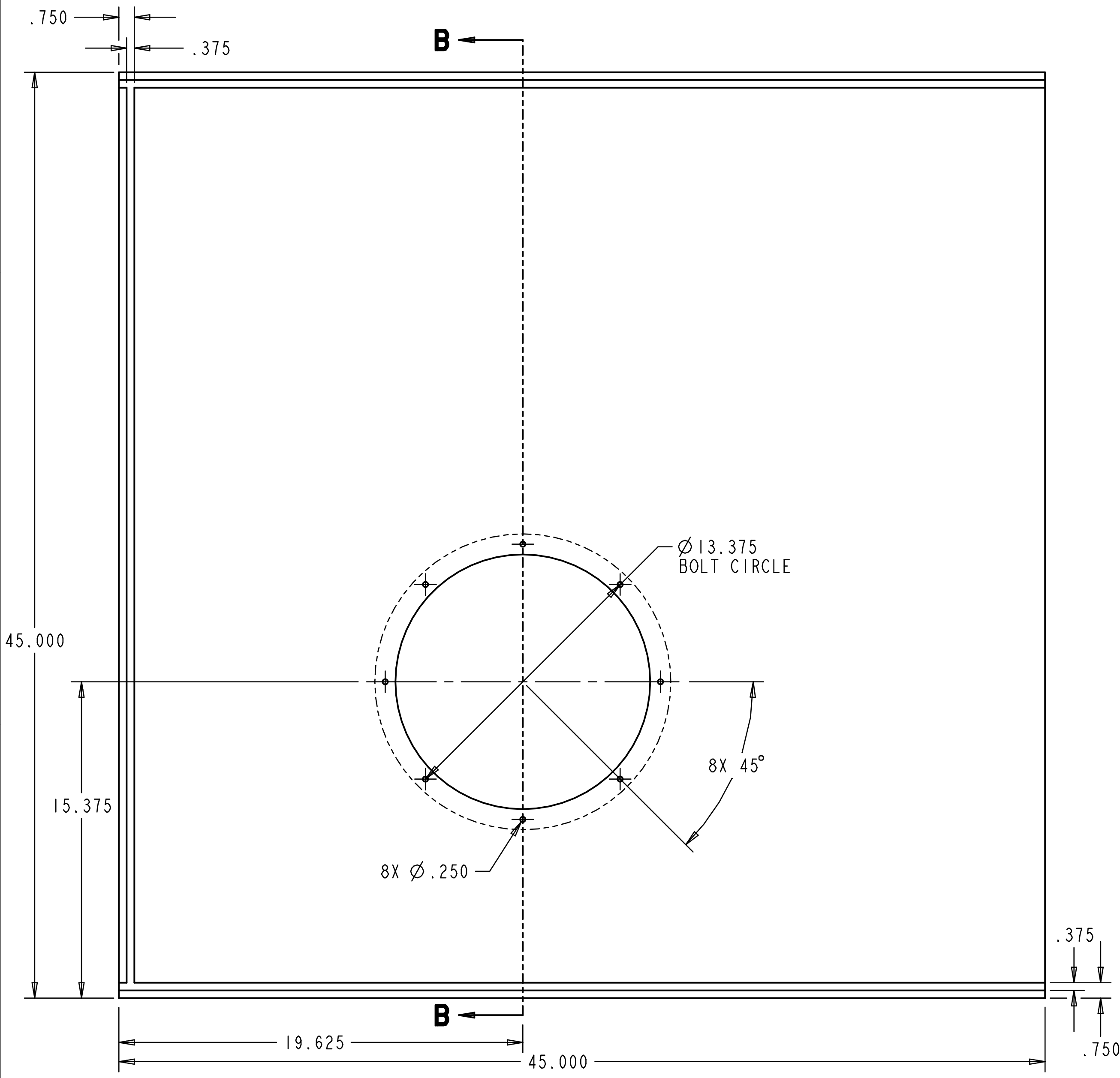
6.50" CORNER PANEL
SCALE 0.250



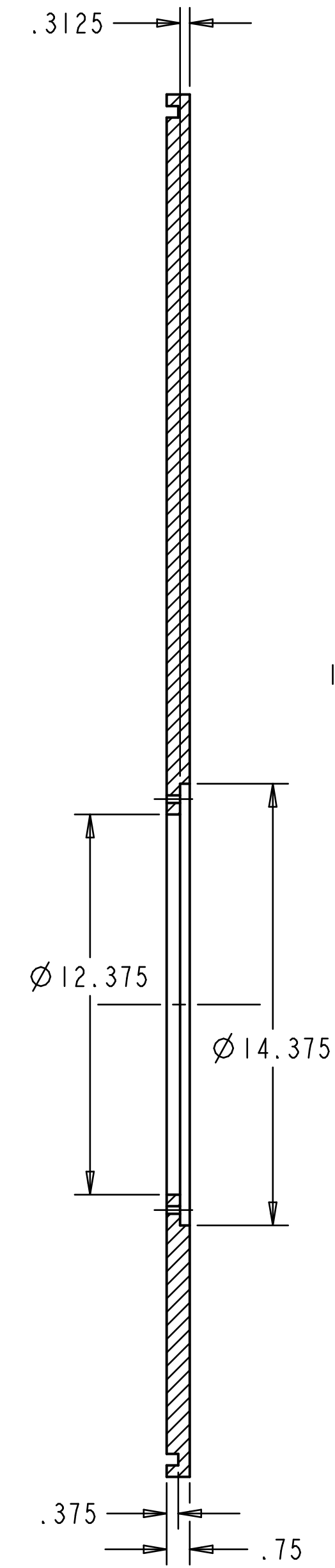
MOUTH CROSS BRACE
SCALE 0.250



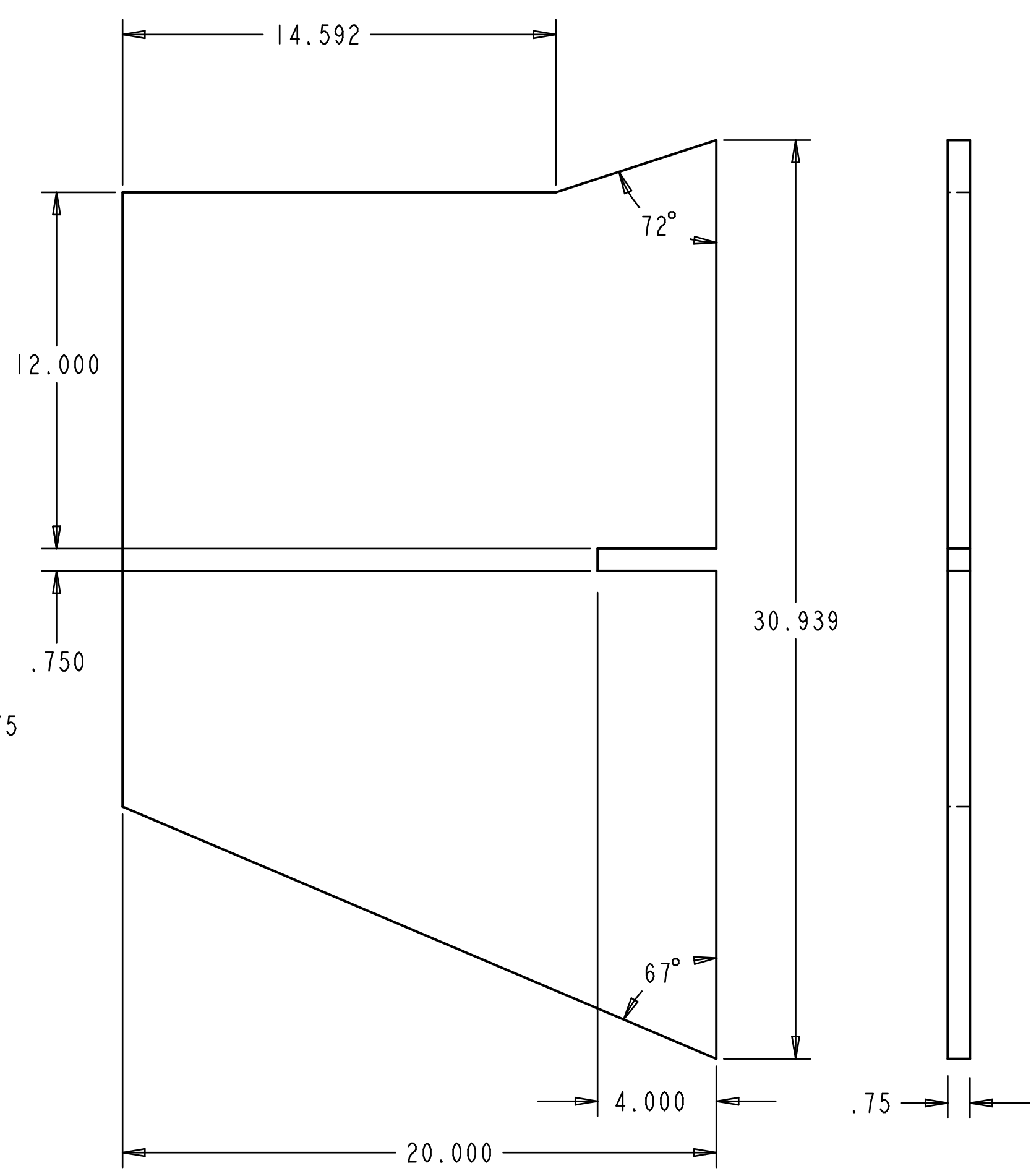
TOP BRACE
SCALE 0.250



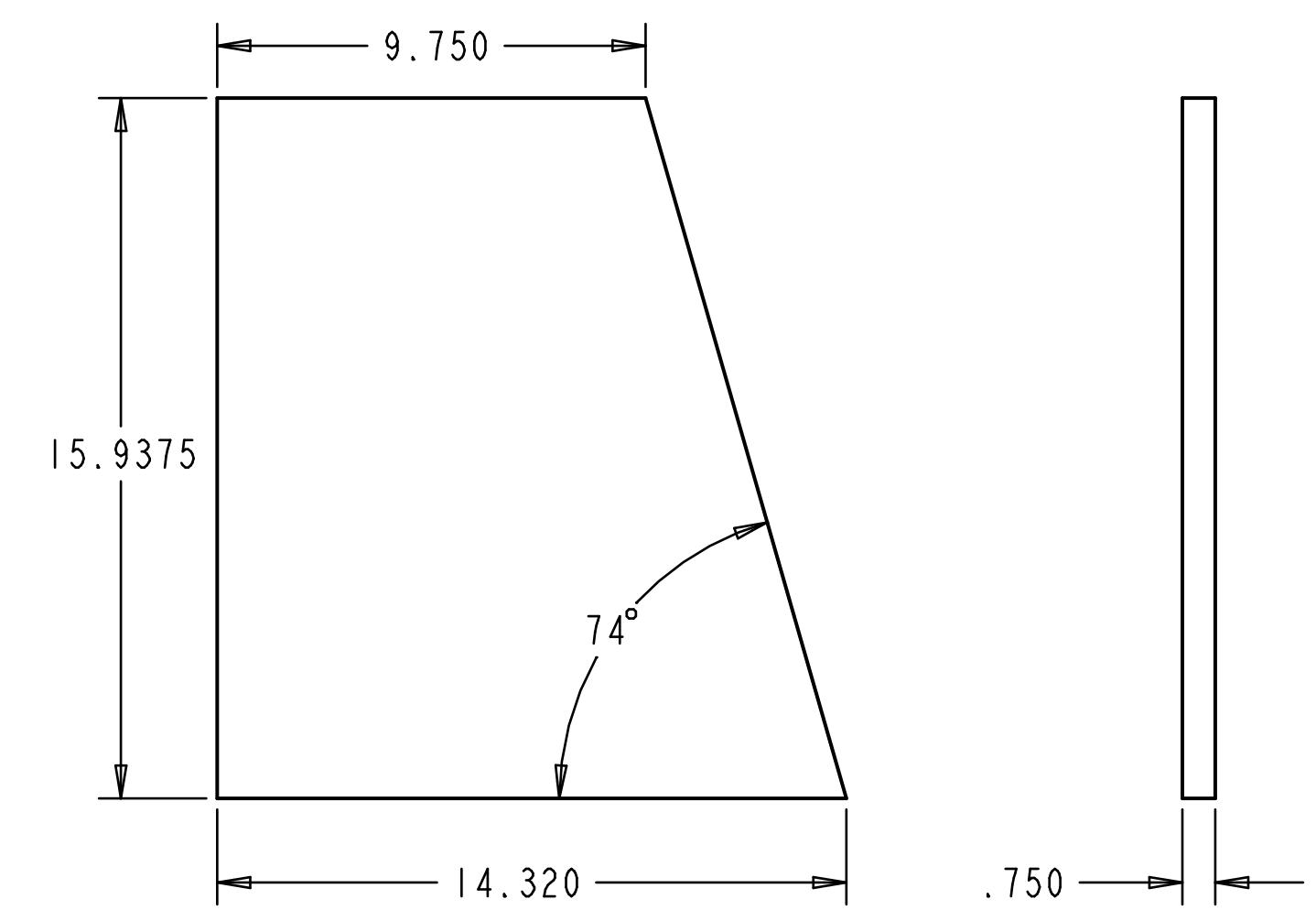
TOP SIDE PANEL
SCALE 0.250



SECTION B-B



FOOT BRACE
SCALE 0.250



BACK BRACE
SCALE 0.250

MATERIAL	XXX	PER SPEC:	none
FINISH	XXX	PER SPEC:	none
REF SPECS	none	none	XXX
THE INFORMATION CONTAINED IN THIS DOCUMENT IS TO BE TREATED AS TRADE SECRET AND CONFIDENTIAL TO			
UNLESS OTHERWISE SPECIFIED			
TOLERANCE			
THIRD ANGLE PROJ	2 PL DEC	DIMENSIONS ARE AFTER PLATING	
SCALE: 1.000	3 PL DEC	BREAK ALL SHARP EDGES	
DO NOT SCALE	ANGLES	CHAM. TAPPED HOLES 90° X THD DIA	
MANUF CAST	MATL ENG	MACHINED SURFACES 1/32"	
XXX	XXX	THREAD LENGTH = FULL THREADS	
MANUF MACH	PURCH	[REDACTED]	
XXX	XXX		
OC	PRODUCT LINE	TITLE	
XXX	XXX	LIVE AUDIO BOARD	
APPROVED	DATE	PART NUMBER	
XXX	4-5-2002	2 X 12 HORN SUB	
CHECKED	DESIGNED	SHEETS	
XXX	XXX	HORN.ASM	
		3 OF 4	